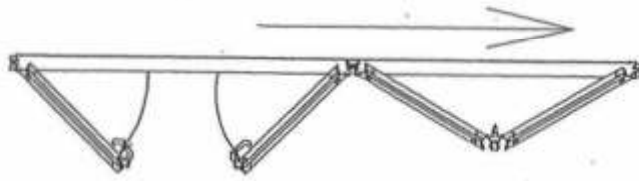
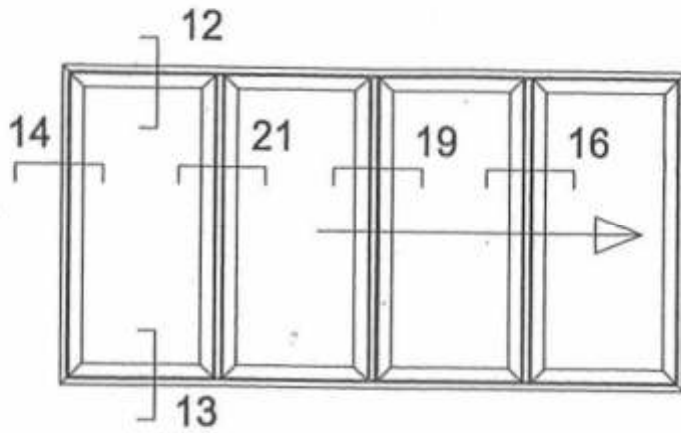
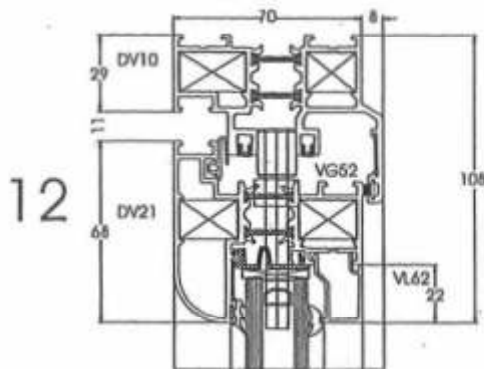


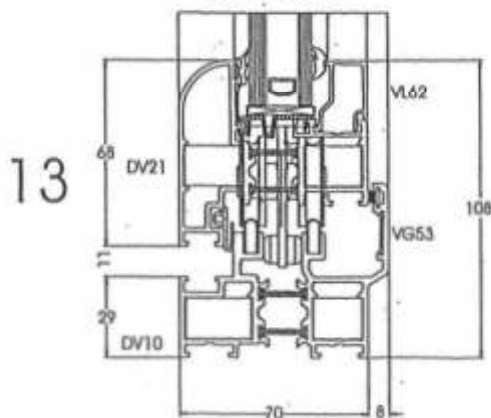
Type 4e



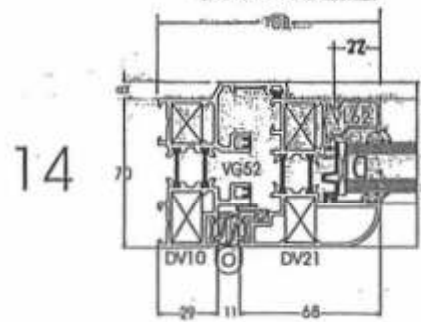
HEAD DETAIL



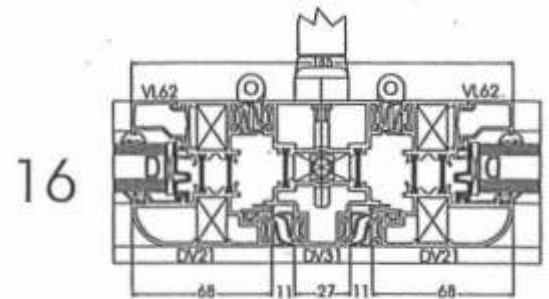
CILL DETAIL



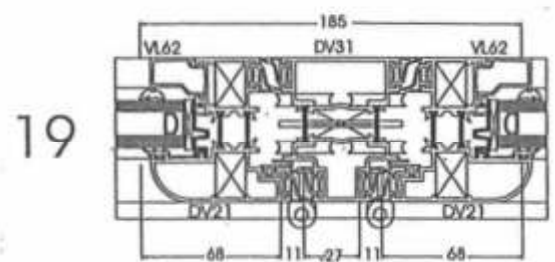
JAMB DETAIL



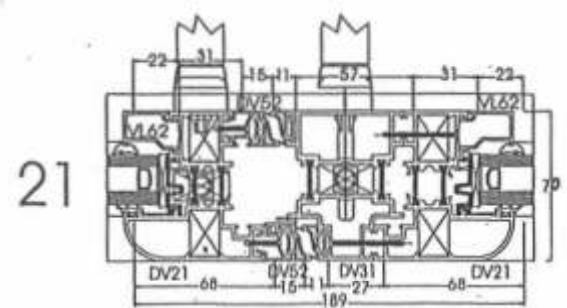
FLOATING MULLION DETAIL



SLIDING MULLION DETAIL



MEETING STILE DETAIL



All dimensions are in millimetres

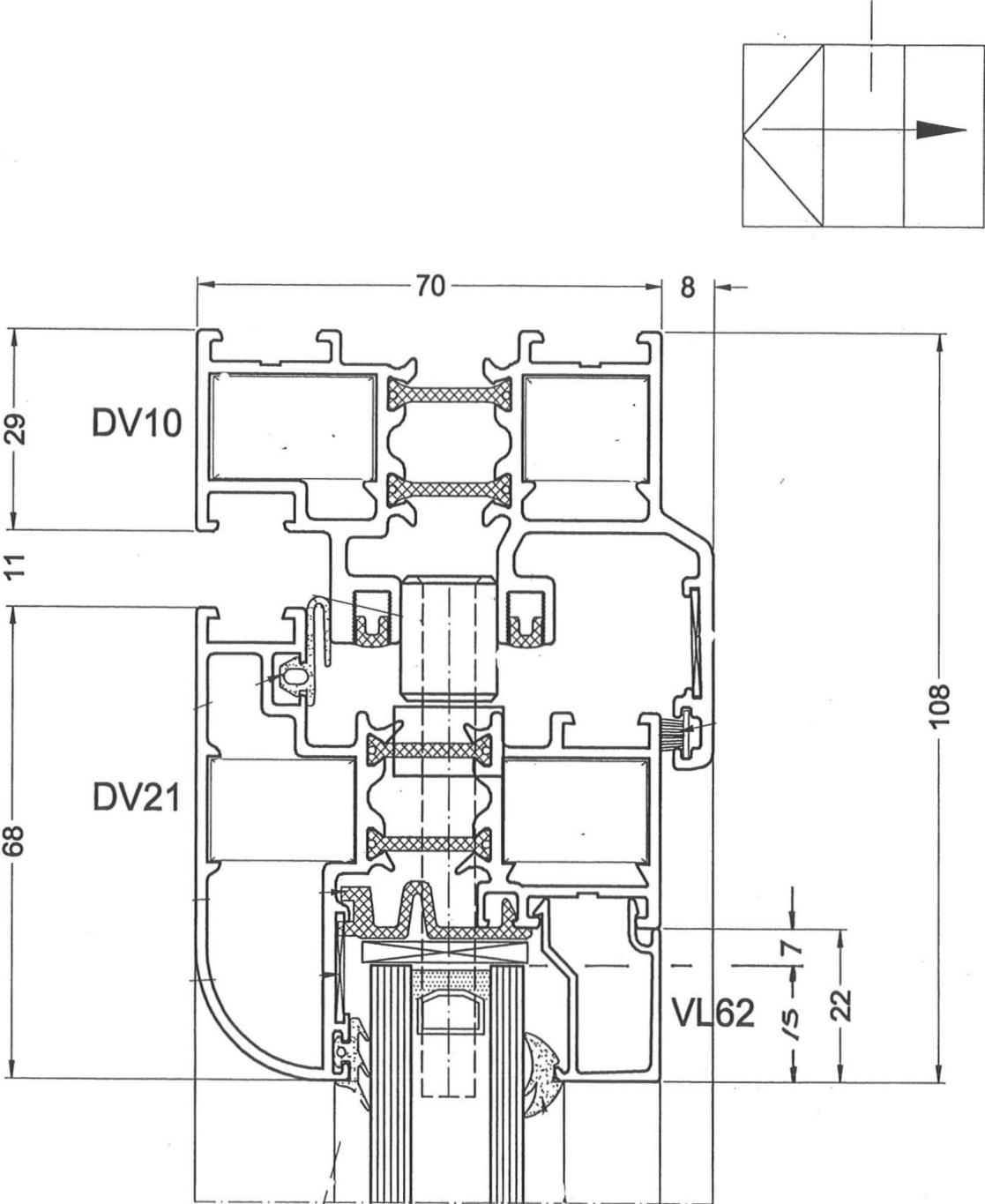
TYPICAL SECTIONS THROUGH
OPEN - OUT SLIDING - FOLDING
DOOR SYSTEM.

Scale NTS

Dm JAI

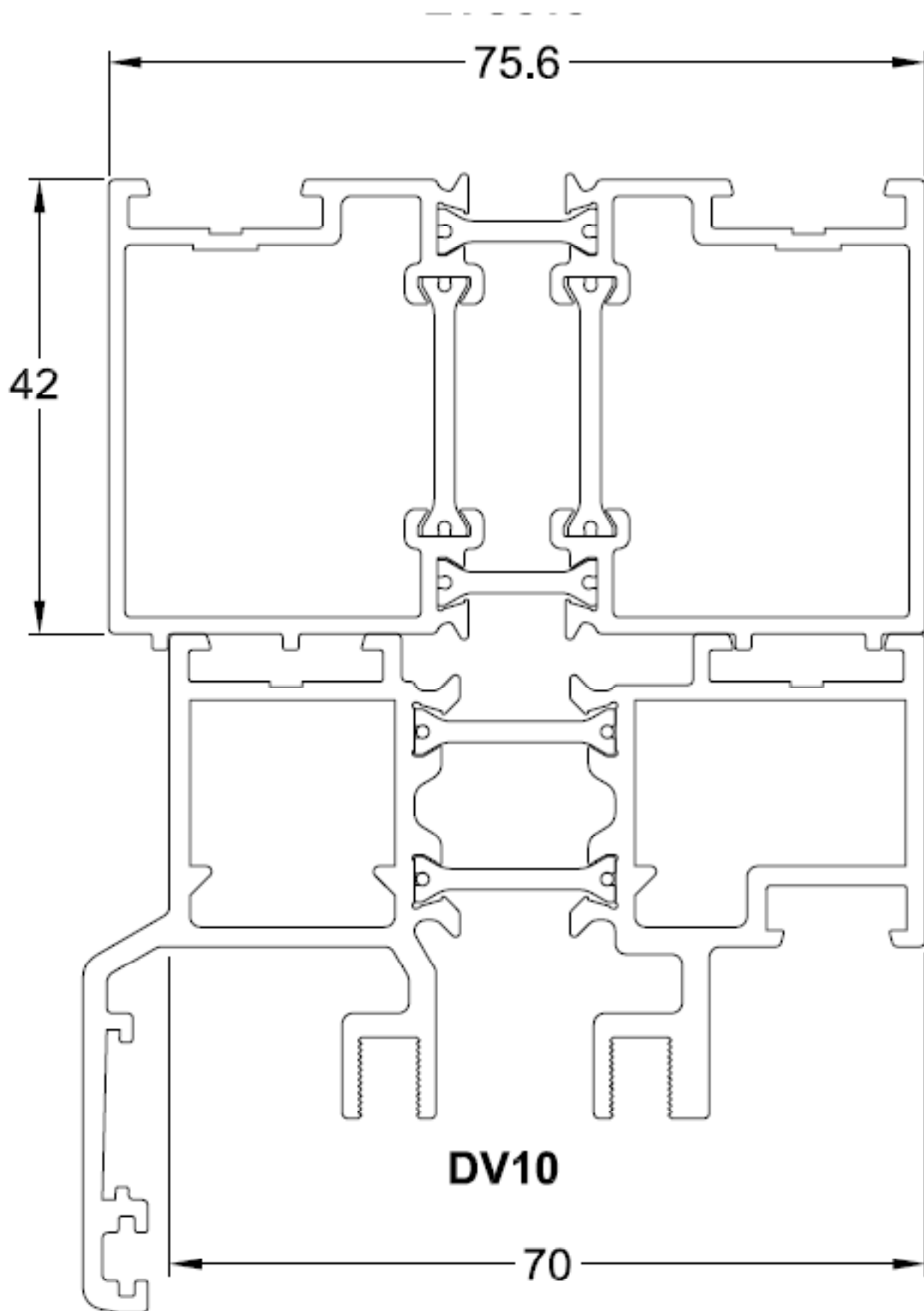
Date 27.6.2005

Head Section Outer frame

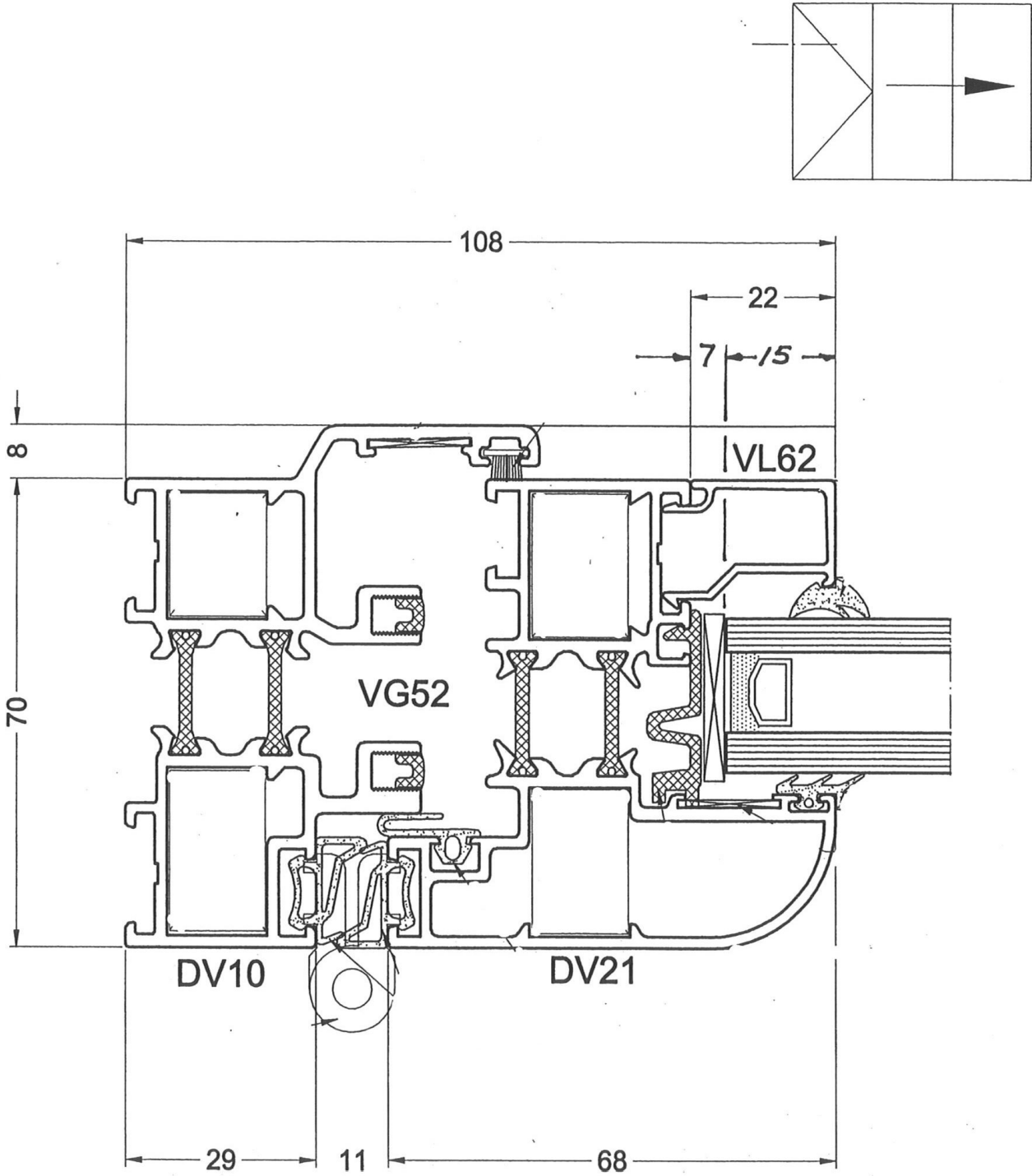


Head Extension for Trickle Vents

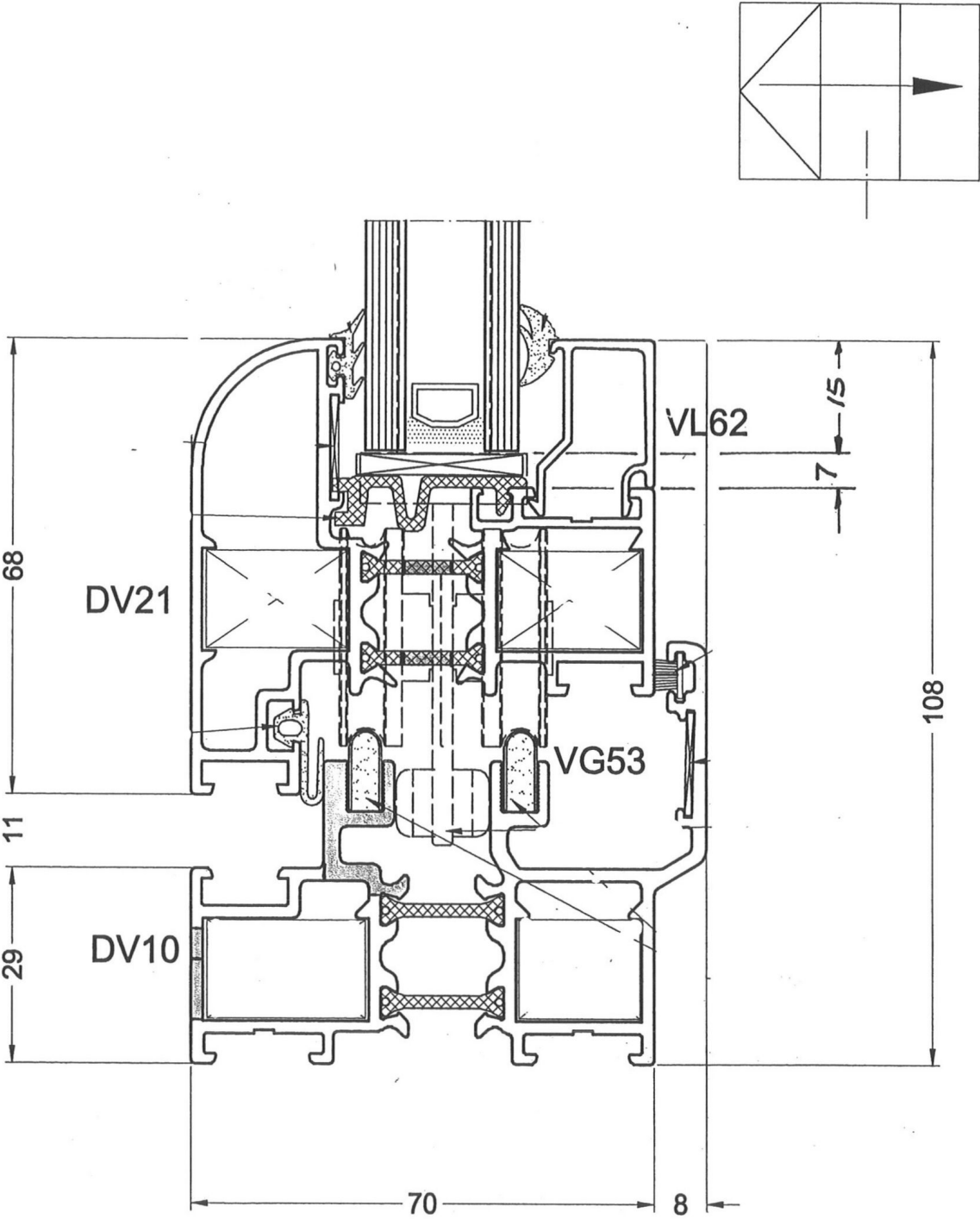
42mm High Extension Shown on Top of Bi-fold Outerframe



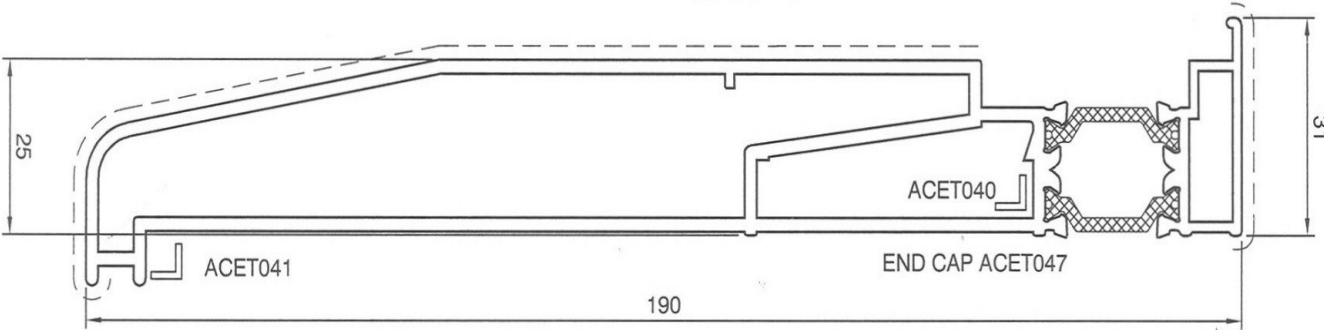
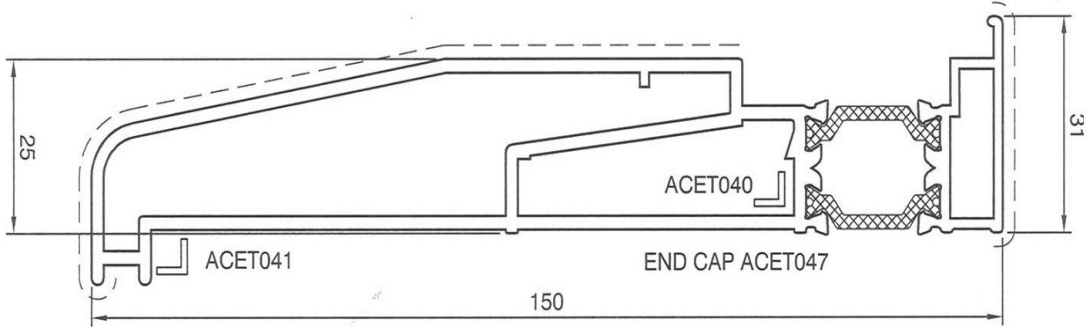
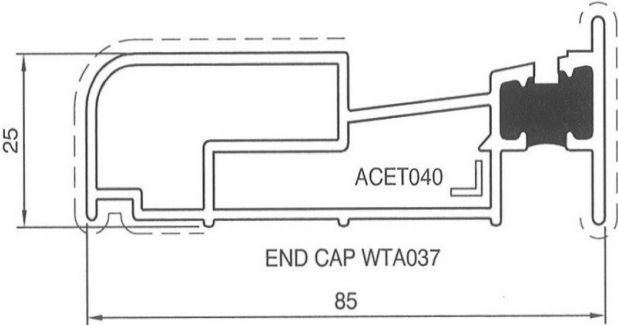
Outer frame Jamb



Outer frame Cill



Cills



Meeting stile

